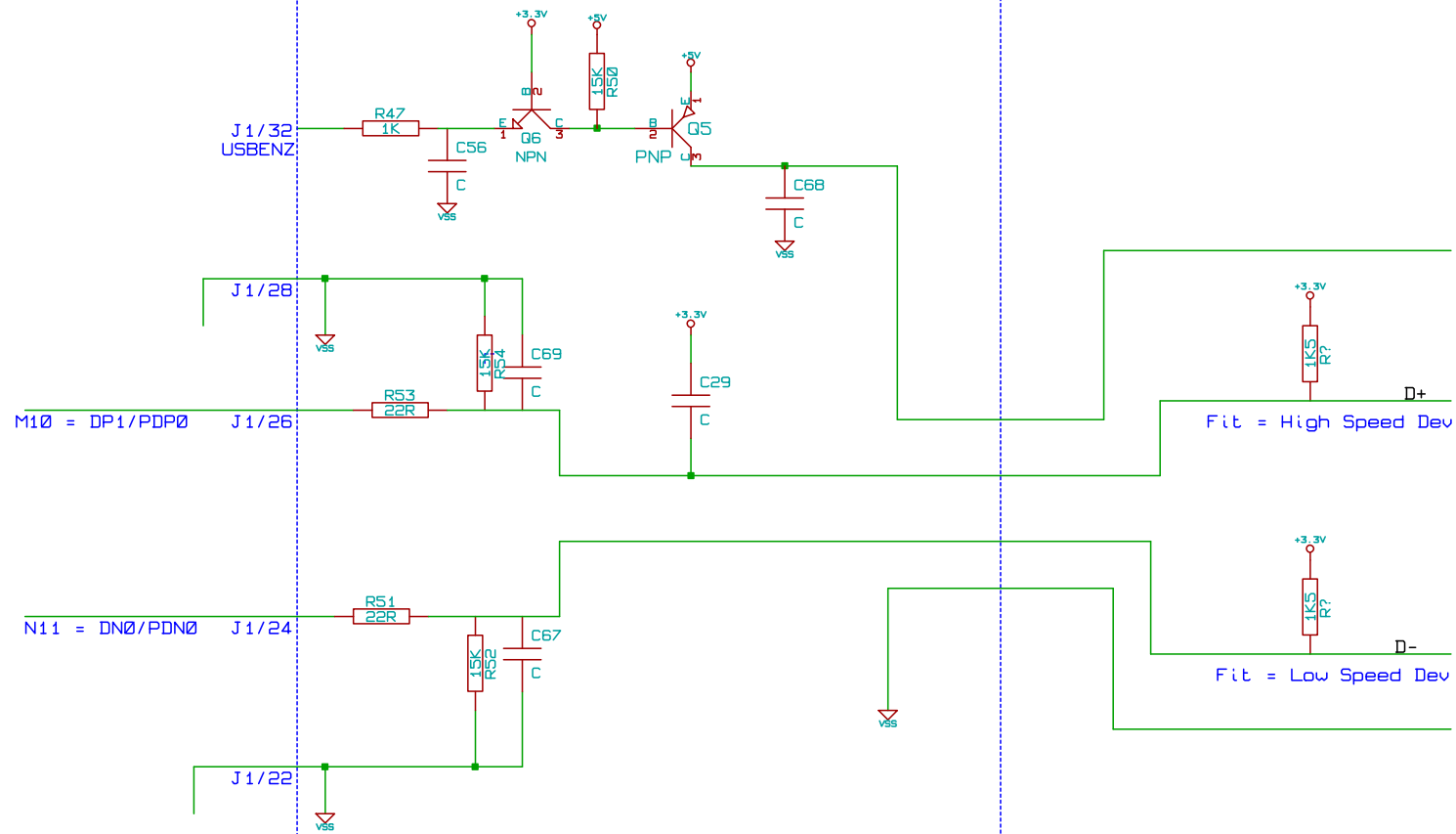


Barracuda

### IR100 Motherboard

Note: Q5 & Q6 Orientation and NPN/PNP are guesses

Remote Device



Title: Barracuda / IR100 USB Interface Schematic		
Size: A4	Date: 19 nov 2006	Rev:
KiCad E.D.A. EESchema (2006-06-26)		Sheet: 1/1